

Série FVR - FVR Series

Dopravní řetězy metrické - Metric Conveyor Chains (DIN 8165)

Redlerové dopravní řetězy FVR - FVR Series Scraper Chains

Poznámka ***:

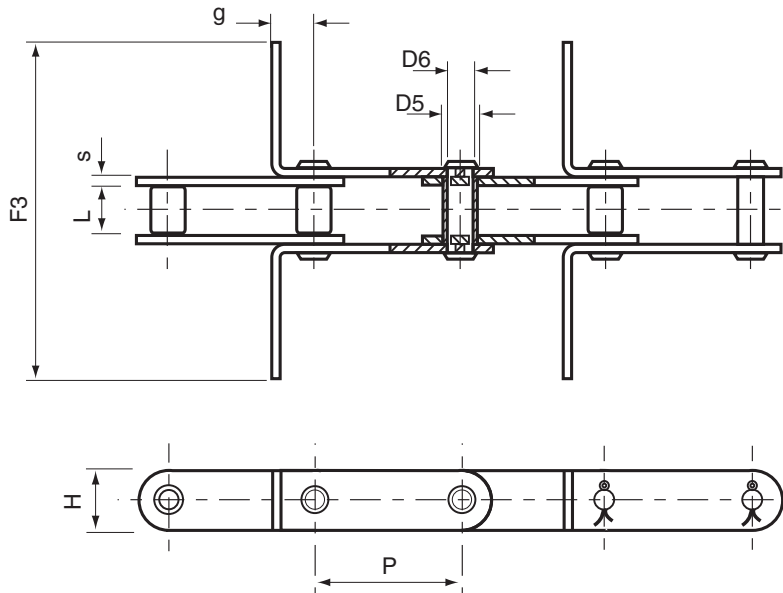
Redlerové délky F3 k dispozici v různém provedení. Prosím, uveďte v poptávce požadované délky.

K dispozici i navařené provedení.

Note ***:

The scraper lengths F3 according to your request. Please specify the length in your enquiry.

The welded type is also available.



Redlerové dopravní řetězy FVR - Scraper Chains

Č. řetězu Chain No.	Rozteč Pitch P	L	H	S	g	F3	D5	D6	Mezní zatížení Breaking Load kN
FVR40	80	18	25	3	25	***	15	10	42
"	100	"	"	"	"	***	"	"	"
"	125	"	"	"	"	***	"	"	"
FVR63	100	22	30	4	25	***	18	12	64
"	125	"	"	"	"	***	"	"	"
"	150/160	"	"	"	"	***	"	"	"
FVR90	100	25	35	5	30	***	20	14	100
"	125	"	"	"	"	***	"	"	"
"	150/160	"	"	"	"	***	"	"	"
FVR112	100	30	40	6	35	***	22	16	120
"	125	"	"	"	"	***	"	"	"
"	150/160	"	"	"	"	***	"	"	"
FVR140	100	35	45	6	38	***	26	18	145
"	125	"	"	"	"	***	"	"	"
"	150/160	"	"	"	"	***	"	"	"
FVR180	125	45	50	8	44	***	30	20	190
"	150/160	"	"	"	"	***	"	"	"
"	200	"	"	"	"	***	"	"	"
FVR250	125	55	60	8	50	***	36	26	275
"	150/160	"	"	"	"	***	"	"	"
"	200	"	"	"	"	***	"	"	"